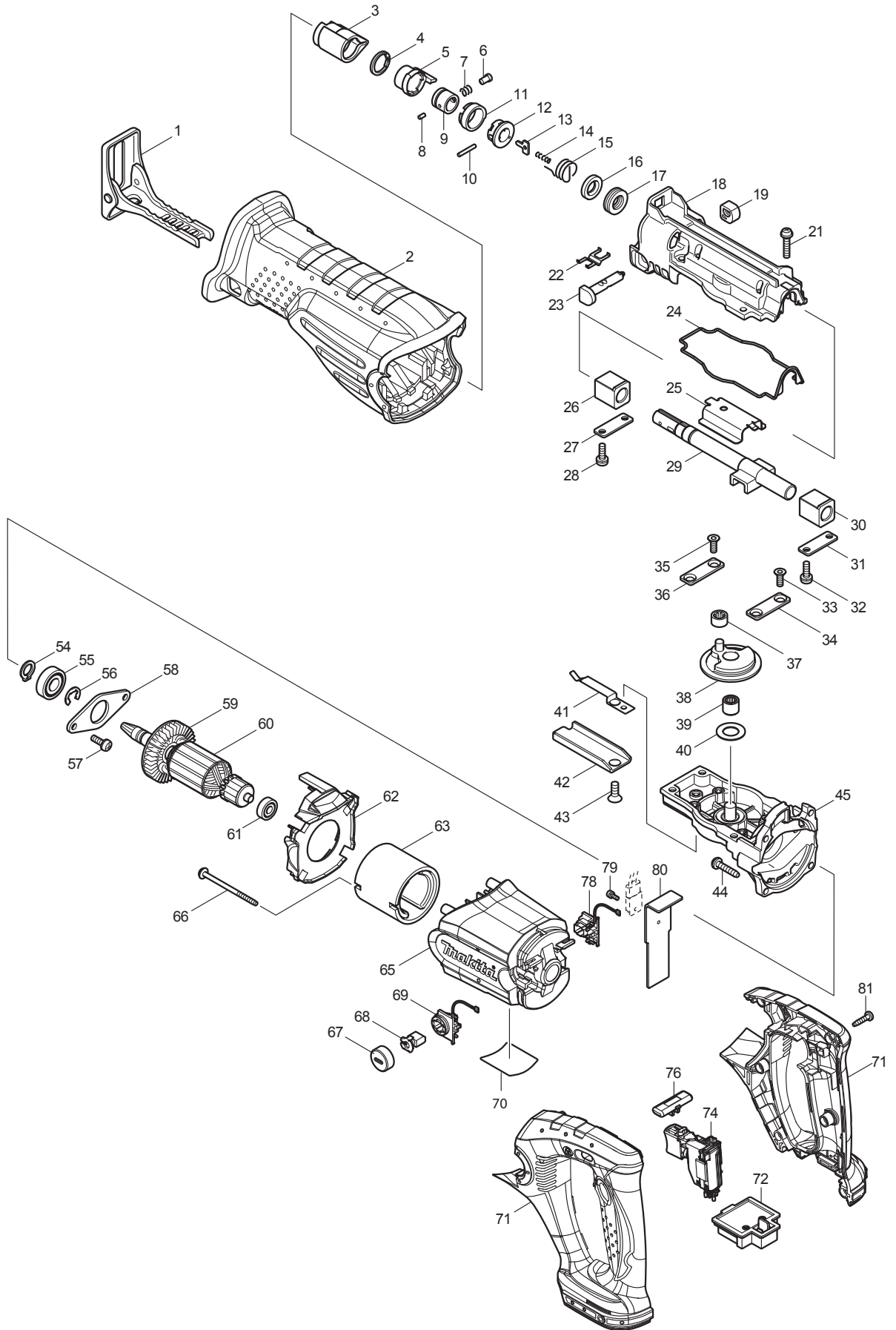




01 - 2014
DJR182F, DJR182RFE, DJR182Z
18V RECIPRO SAW



Item No.	Type	Sub	Part No.	Description	Q'ty	Unit
1			163451-9	SHOE	1	PC.
2			424046-6	INSULATION COVER	1	PC.
3			424147-0	PROTECTOR	1	PC.
4			257952-8	RETAINING RING (EXT) 18	1	PC.
5			310285-3	DRIVING SLEEVE	1	PC.
6			256492-3	SHOULDER PIN 5	1	PC.
7			233345-3	COMPRESSION SPRING 6	1	PC.
8			268094-3	PIN 3	1	PC.
9			331720-8	GUIDE SLEEVE	1	PC.
10			256158-5	PIN 3	1	PC.
11			417791-0	DRIVING SLEEVE GUIDE	1	PC.
12			418311-3	SLEEVE	1	PC.
13			345214-7	PUSH PLATE	1	PC.
14			233025-1	COMPRESSION SPRING 2	1	PC.
15			231687-9	TORSION SPRING 17	1	PC.
16			213151-2	OIL SEAL 14	1	PC.
17			213174-0	X RING 14	1	PC.
18			154813-2	GEAR HOUSING COVER COMPLETE	1	PC.
		INC.		Item No. 16,17		
19			418806-6	CAP	1	PC.
21			911243-8	PAN HEAD SCREW M5X25	4	PC.
22			232221-8	LEAF SPRING A	1	PC.
23			162236-0	SHIFT BUTTON	1	PC.
24			421946-1	SEAL RING	1	PC.
25			345480-6	SLIDE PLATE	1	PC.
26			214170-1	PLANE BEARING 14A	1	PC.
27			341462-6	PLATE	1	PC.
28			911225-0	PAN HEAD SCREW M5X16	2	PC.
29			168405-1	SLIDER	1	PC.
30			214170-1	PLANE BEARING 14A	1	PC.
31			341462-6	PLATE	1	PC.
32			911225-0	P.H. SCREW M5X16	2	PC.
33			265148-7	TORX SOCKET HEAD SCREW M5X14	2	PC.
34			344795-8	PLATE C	1	PC.
35			265148-7	TORX SOCKET HEAD SCREW M5X14	2	PC.
36			344795-8	PLATE C	1	PC.
37			212959-1	NEEDLE BEARING 708	1	PC.
38			125423-2	GEAR ASS'Y	1	PC.
		INC.		Item No. 39		
39			212080-6	NEEDLE BEARING 1012	1	PC.
40			253797-2	FLAT WASHER 14	1	PC.
41			232222-6	LEAF SPRING B	1	PC.
42			345479-1	SHOE GUIDE	1	PC.
43			265165-7	TORX SOCKET C.S.HEADSCREW M6X16	1	PC.
44			266041-8	TAPPING SCREW 5X25	4	PC.
45			154812-4	GEAR HOUSING COMPLETE	1	PC.
54			961052-5	RETAINING RING S-12	1	PC.
55			210102-6	BALL BEARING 6001DDW	1	PC.
56			961016-9	STOP RING E-10	1	PC.
57			911225-0	PAN HEAD SCREW M5X16	2	PC.
58			285726-7	BEARING RETAINER 63	1	PC.
59			241869-5	FAN 55	1	PC.
60			519176-7	ARMATURE ASS'Y 18V	1	PC.
		INC.		Item No. 59, 61		
61			210062-2	BALL BEARING 607ZZ	1	PC.
62			450176-7	BAFFLE PLATE	1	PC.
63	1		638571-3	YOKE UNIT	1	PC.
	2		632H52-7	YOKE UNIT	1	PC.
65			142576-2	MOTOR HOUSING COMPLETE	1	PC.
	1	INC.	802T99-9	CAUTION LABEL	1	PC.
	2	INC.	802J50-9	CAUTION LABEL	1	PC.
66			266292-3	TAPPING SCREW 4X65	2	PC.

Item No.	Type	Sub	Part No.	Description	Q'ty	Unit
67			643829-7	BRUSH HOLDER CAP	2	PC.
68			195022-4	CARBON BRUSH CB-441, 2PC/SET, W/ORIGIN	1	SET
69			643827-1	BRUSH HOLDER	1	PC.
70			815J97-4	NAME PLATE F/DJR182	1	PC.
71	1		187208-4	* HANDLE SET	1	PC.
	2		183D93-7	* HANDLE SET	1	PC.
		INC.	263005-3	RUBBER PIN 6	2	PC.
72			644808-8	TERMINAL	1	PC.
74	1		650648-4	SWITCH C3HZ-1A-T2MS	1	PC.
	2		650750-3	SWITCH C3HA-Z1A-T2MS	1	PC.
76			450177-5	LOCK OFF BUTTON	1	PC.
78			643826-3	BRUSH HOLDER	1	PC.
79			911006-2	P.H. SCREW M3X8	1	PC.
80			689116-0	HEAT SINK	1	PC.
81			266326-2	TAPPING SCREW 4X18	6	PC.
100			195929-4	BLADE CLAMP KIT	1	PC.
		INC.		Item No. 3-15	1	PC.
ACCESSORIES		- See catalogue or visit www.makita.ca for more optional accessories -				
A01			194068-7	RECIPRO SAW BLADE 2PC/SET	1	SET
A02			-----	BATTERY CHARGER		
A03			-----	18V LI-ION BATTERY		
A04			-----	LI-ION BATTERY ACCESSORIES		
A06			141357-1	PLASTIC CARRYING CASE COMPLETE	1	PC.
		INC.	163455-1	LATCH	2	PC.
			821007X	TOOL BAG	1	PC.

SERVICE CHANGES

1. Changes on Handle Set

(TI#B0991)

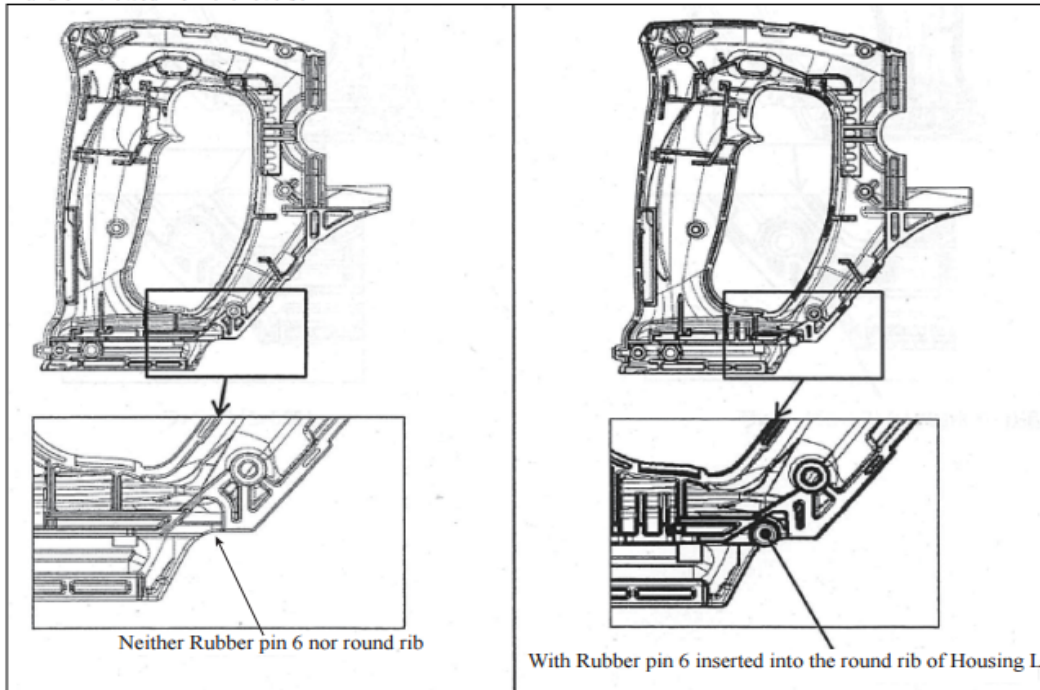
Item No.	Description	Type 1	Type 2
71	Handle Set	187208-4	183D93-7
	Inc. Rubber Pin 6	-----	263005-3

Above parts are completely interchangeable as a set.

Type 1

Type 2

Handle L viewed from the reverse



Handle R viewed from the reverse

